



# FW35TT™

THE STRONGEST, FASTEST AND MOST RELIABLE  
TERMINAL TRACTOR FIFTH WHEEL

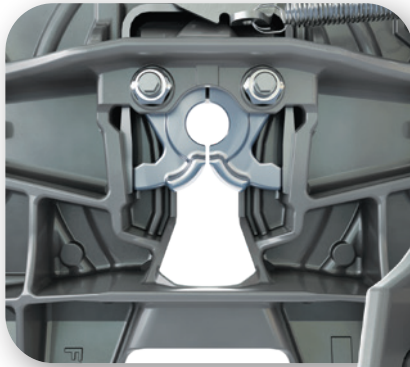
# FWB5TT™

TERMINAL TRACTOR FIFTH WHEEL

**MORE DURABLE**  
**EASIER TO MAINTAIN**  
**FUNCTIONALLY SUPERIOR**

**1** **Strategically Strength Enhanced Rib Structure**

The main rib has been beefed up and additional ribs are built into the kingpin throat area. The bridge is made stronger with increased thickness and strategically located gussets.



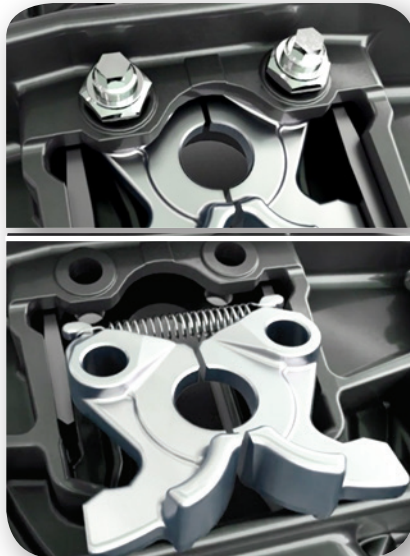
**2** **80,000 lbs. Capacity Top Plate**

Top plate is cast with higher strength steel alloy with an increased top plate thickness for long life performance.

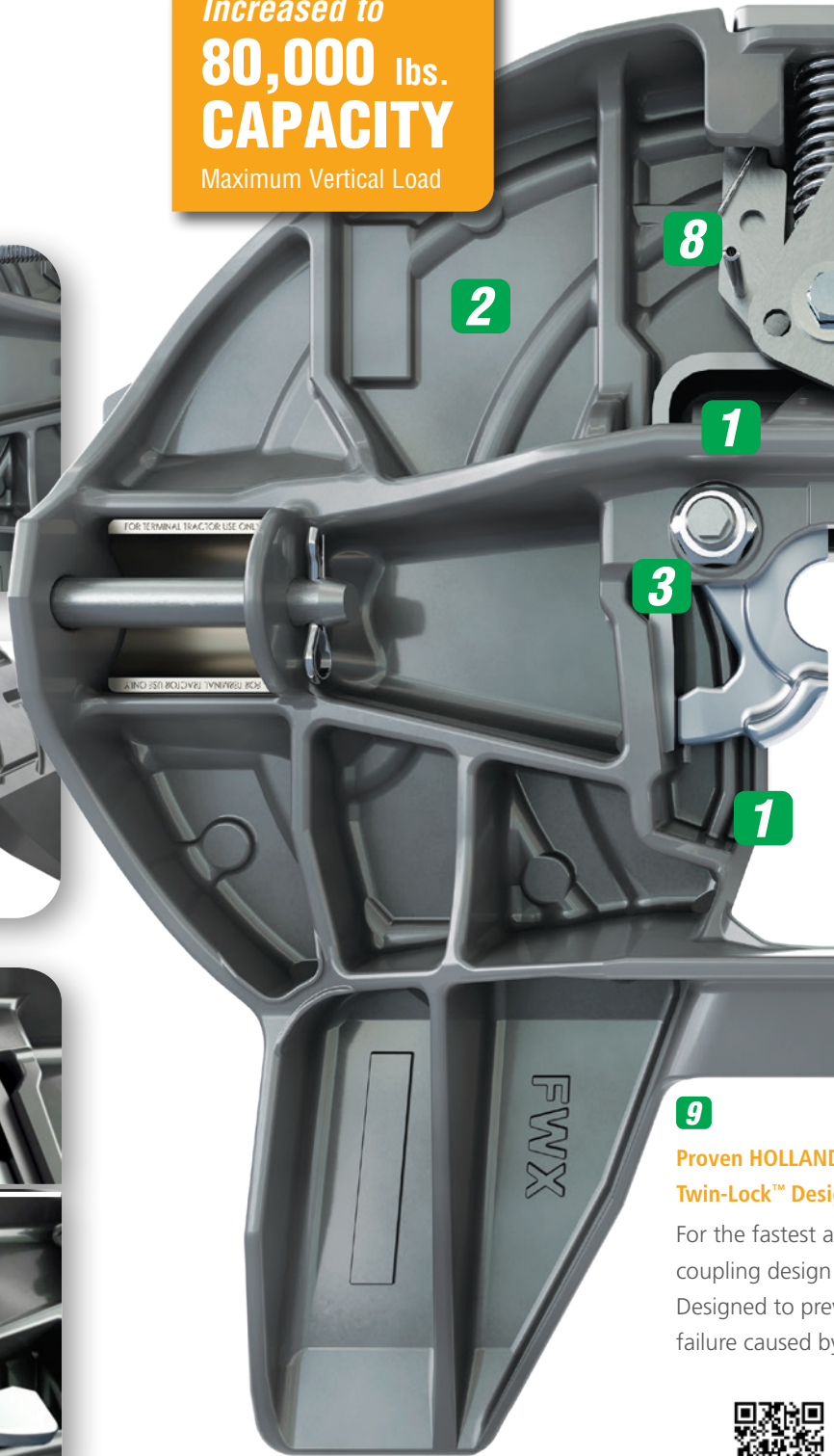


**3** **Easy Lock Set Replacement**

Easy 15 minute lock set replacement – “Slip-Fit” lock pins with lock nut retention for easy and quick removal. Locks now slide out as a complete set for easy lock-only replacement.



**Increased to 80,000 lbs. CAPACITY**  
Maximum Vertical Load



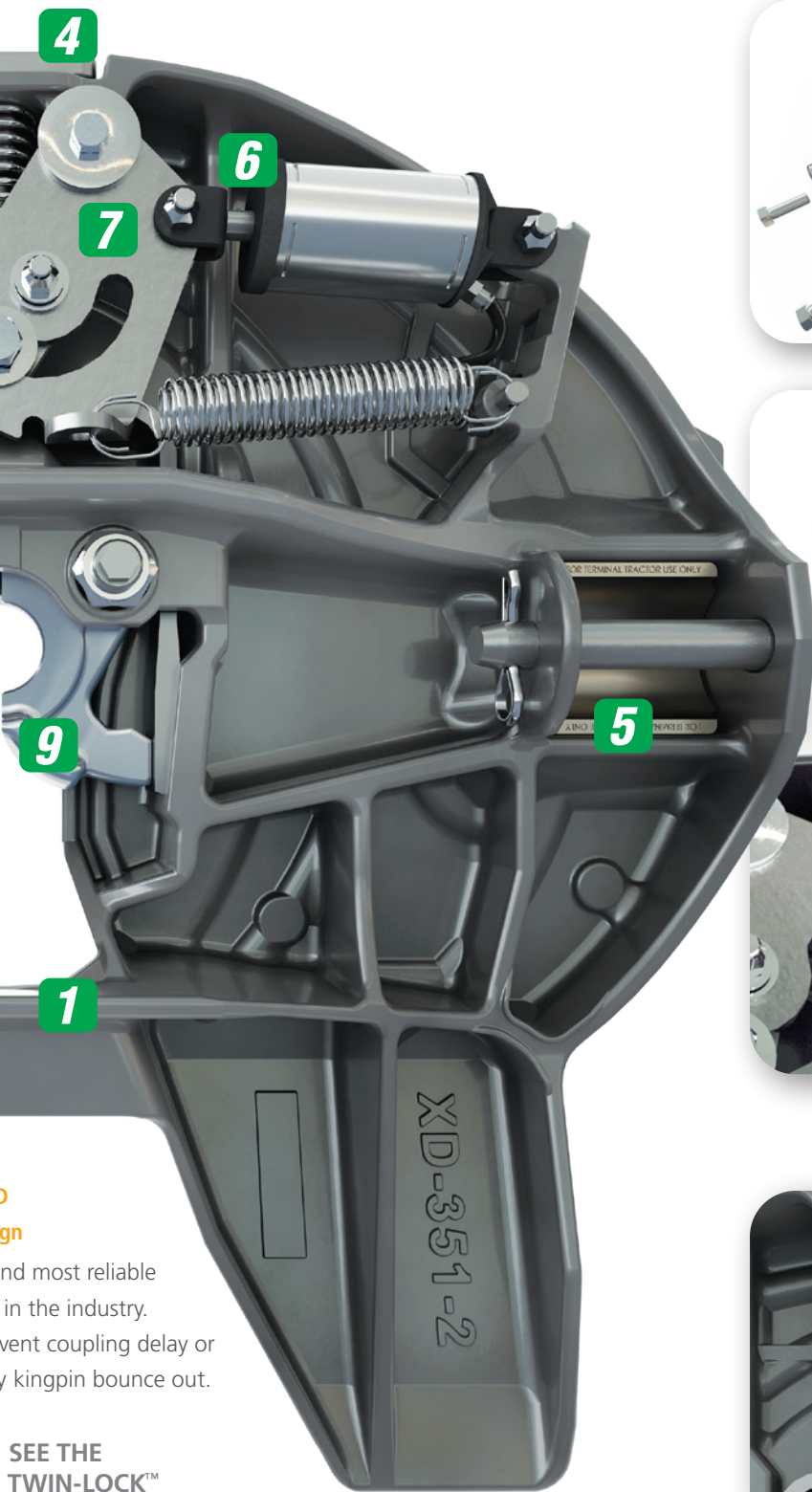
**9** **Proven HOLLAND Twin-Lock™ Design**

For the fastest and most secure coupling design. Designed to prevent failure caused by



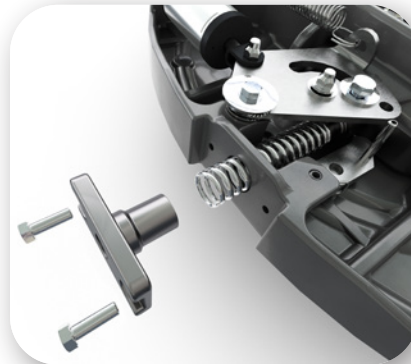
**THE STRONGEST, FASTEST AND MOST**

# THE BEST IS EVEN BETTER



Design  
and most reliable  
in the industry.  
Prevent coupling delay or  
kingpin bounce out.

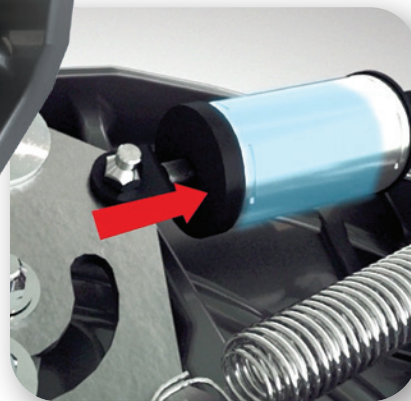
SEE THE  
TWIN-LOCK™  
IN ACTION!



**4 Removable Spring Retainer**  
Makes for quick and easy removal of the yoke shaft spring. No need to compress the spring by hand to install.



**5 NoLube Pocket Liners**  
NoLube Pocket Liner inserts with easy to remove clinch pin for quick and easy replacement. No grinding or tools required to replace pocket liners.



**6 Lock-down Mode for Added Coupling Security**  
New double acting air cylinder provides a new level of coupling security with an integrated "Lock-Down" mode that is automatically activated when the driver releases the trailer brakes. Prevents the potential for dropped trailers when properly coupled.



**7 Optimized Cam Plate**  
Engineered for smoother operation throughout the coupling and uncoupling process.

**8 Integrated Automatic Secondary Lock**  
Eliminates the need for a manual handle activated secondary lock.

# RELIABLE TERMINAL TRACTOR FIFTH WHEEL

# SAF Holland Group



TRAILER AXLES AND  
SUSPENSION SYSTEMS



COUPLING AND  
LIFTING SYSTEMS



SUSPENSIONS FOR  
TRUCKS AND BUSES



SUSPENSIONS AND  
AXLE SYSTEMS



V. ORLANDI  
TOWING  
SYSTEMS



TRAILER AXLES/SUSPENSIONS,  
COUPLING AND LIFTING  
SYSTEMS

[safholland.com](http://safholland.com)

**SAF-HOLLAND, Inc.**  
800.876.3929

**SAF-HOLLAND Canada Limited**  
519.537.3494  
Western Canada 604.574.7491

**SAF-HOLLAND Mexico**  
52.55.5456.8641